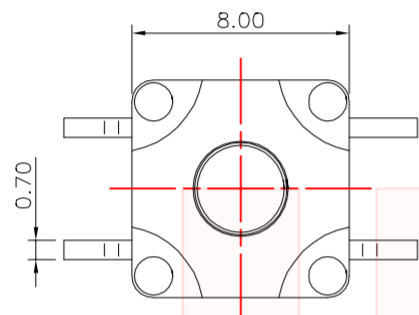
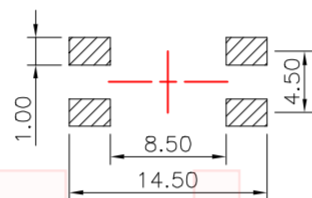




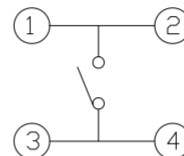
DIMENSIONS



P.C.B MOUNTING PATTERN DIMENSION
The following soldering patterns are recommended for reflow soldering

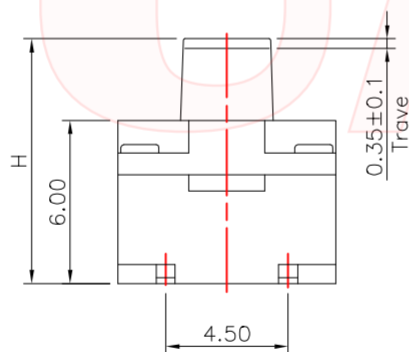
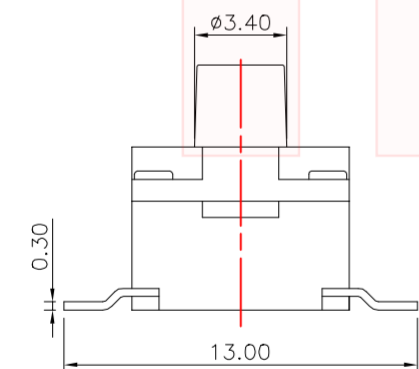


CIRCUIT DIAGRAM



MODEL CODE

TS-1843DP	H	∅A
-	6.5	3.5
A	7.0	3.5
B	7.5	3.5
C	8.0	3.3
D	8.5	3.4
E	9.0	3.3



ELECTRO-MECHANICAL CHARACTERISTICS
Refer to additional specifications

Rating	DC 12V 50mA	
Contact Resistance	100mΩ Max.	
Insulation Resistance	100MΩ (DC 500V / 1 min) Min.	
Withstanding Voltage	250 VAC / min.	
Travel	0.25 ± 0.1mm	
Operating Force	160±50gf	250±50gf
Operating Life(cycles)	100,000	

REV	REVISION RECORD	DATE	TOLERANCES		DR	KEN	PART NO.:
A0	NEW		SCALE: 1:1	LINEAR	CHKD	FRDS	TS-1843PS
			UNITS:mm	.X ±0.20	APPD	ANGEL	TITLE:
			SIZE:A4	.XX ±0.10	WEB	WWW.HUATN.COM	TACT SWITCH
			SHEET: 1/1	.XXX ±0.03			

HUATN

THESE DRAWINGS AND SPECIFICATIONS ARE THE PROPERTY OF HUATN ELECTRONICS CO.,LTD.AND SHALL NOT BE REPRODUCED, COPIED OR USED IN ANY MANNER WITHOUT THE PRIOR WRITTEN CONSENT OF HUATN ELECTRONICS CO.,LTD.