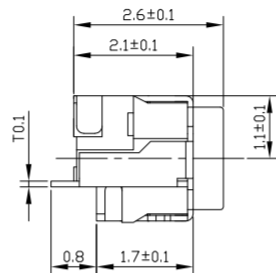
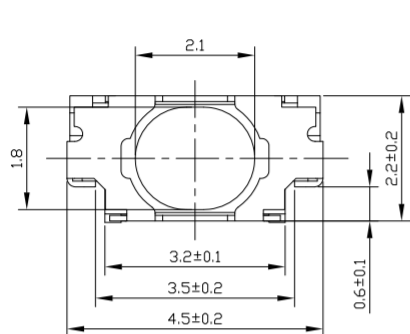


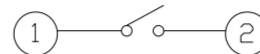


RoHS  
Compliant  
2011/65/EU

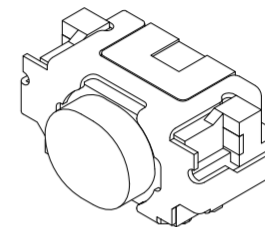
DIMENSIONS



CIRCUIT DIAGRAM

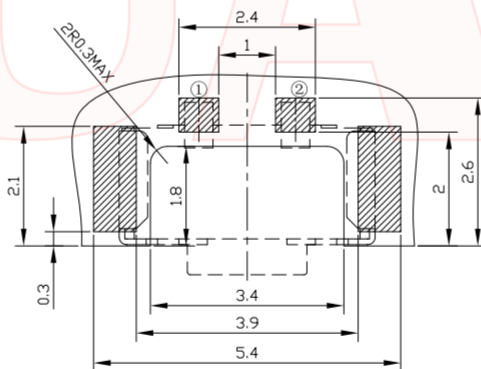
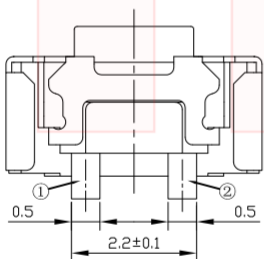


PRODUCT IMAGE



P.C.B MOUNTING PATTERN DIMENSION

The following soldering patterns are recommended for reflow soldering



ELECTRO-MECHANICAL CHARACTERISTICS

Refer to additional specifications

Rating	DC 12V 50mA
Contact Resistance	100mΩ Max.
Travel	0.15 ± 0.1mm
Operating Force	220±50gf
Operating Life(cycles)	100,000

REV	REVISION RECORD	DATE	TOLERANCES		DR	KEN	PART NO: TS-1848FP
A0	NEW		SCALE: 1:1	LINEAR	CHKD	FROS	
			UNITS:mm	.X ±0.20	APPD	ANGEL	TITLE: TACT SWITCH
			SIZE:A4	.XX ±0.10	WEB	WWW.HUATN.COM	
			SHEET:1/1	.XXX ±0.03			



THESE DRAWINGS AND SPECIFICATIONS ARE THE PROPERTY OF HUATN ELECTRONICS CO.,LTD.AND SHALL NOT BE REPRODUCED, COPIED OR USED IN ANY MANNER WITHOUT THE PRIOR WRITTEN CONSENT OF HUATN ELECTRONICS CO.,LTD.